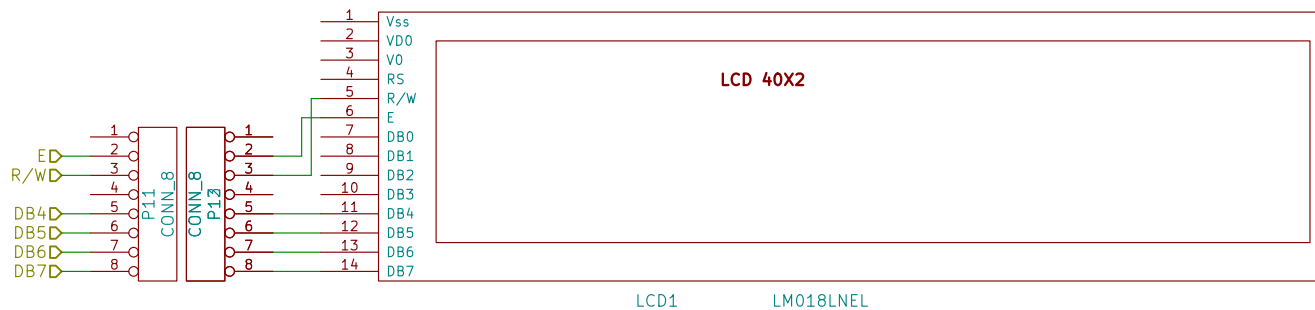


Francois Basquin		
Sheet: /LCStudio SD Card Reader/ File: LCStudio-SD_card_reader.sch		
Title: Fujitsu MB8877a Emulator for Yamaha QX1		
Size: A4	Date: 2017-09-25	Rev: 1.1
KiCad E.D.A. kicad 4.0.7-e2-637658ubuntu16.04.1		Id: 2/4



Francois Basquin

Sheet: /Display/
File: Display.sch

Title: Fujitsu MB8877a Emulator for Yamaha QX1

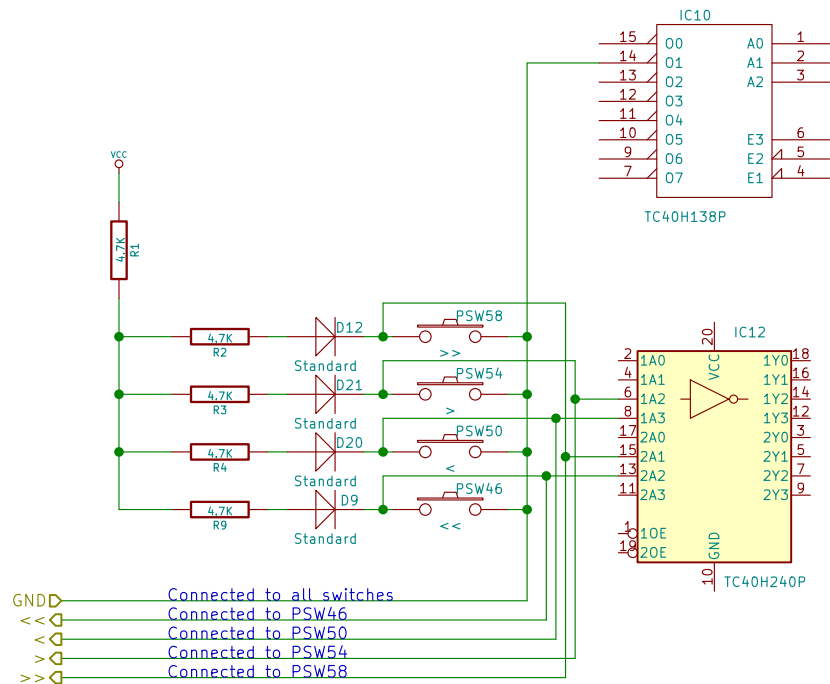
Size: A4

Date: 2017-09-25

Rev: 1.1

KiCad E.D.A. kicad 4.0.7-e2-637658ubuntu16.04.1

Id: 3/4



QX1 PNA Board
Francois Basquin

Sheet: /QX1-PNA/
 File: QX1-PNA.sch

Title: Fujitsu MB8877a Emulator for Yamaha QX1

Size: A4 Date: 2017-09-25
 KiCad E.D.A. kicad 4.0.7-e2-637658ubuntu16.04.1

Rev: 1.1
 Id: 4/4